

ECCB-36SC

HIGH CAPACITY 36" REFRIGERATED CHEF BASE - SELF CONTAINED



E-COM

COMMERCIAL FOOD EQUIPMENT CORP.

CANADA

INFO@E-COMCORP.COM

TORONTO: 437-889-4398

VANCOUVER: 778.775.0692

AUTHORIZED AGENT

PROJECT

ORIGINAL DATE

ISSUED

2014

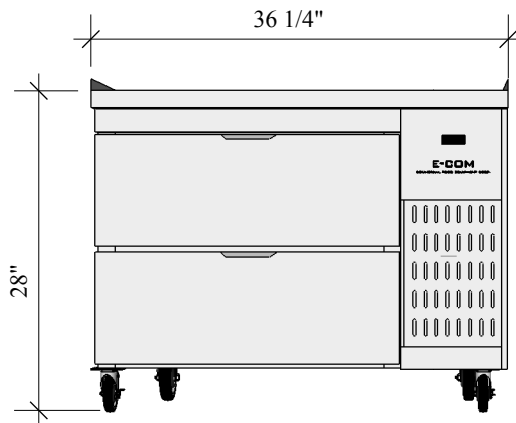
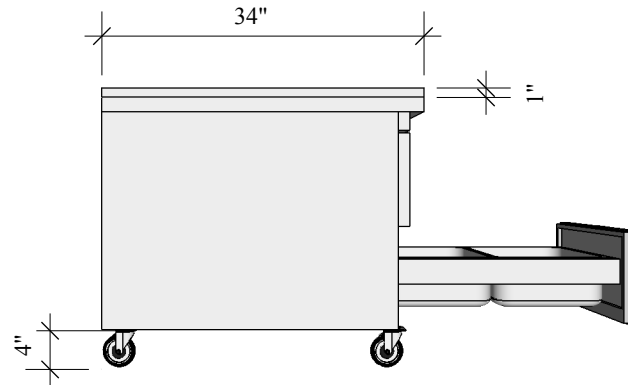
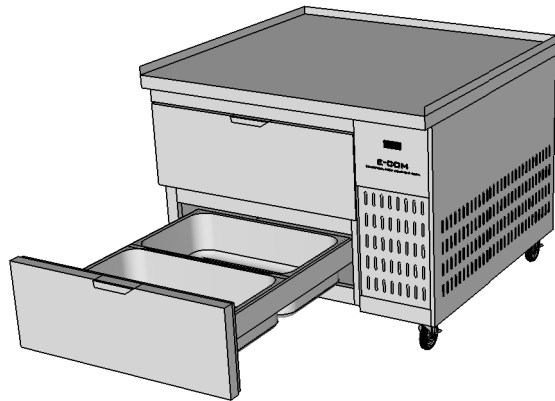
DRAWN BY

I.T

DATE OF RE-ISSUE

ITEM NUMBER

CUSTOMER APPROVAL SIGNATURE



STANDARD FEATURES

- ALL STAINLESS STEEL HEAVY DUTY CONSTRUCTION.
- STAINLESS STEEL INTERIOR, DRAWERS, TRACKS AND BEARINGS.
- HIGH CAPACITY REFRIGERATOR CAPABLE OF HOLDING UP TO 4 FULL SIZE STANDARD PANS 6" DEEP. PANS SOLD SEPARATELY.
- DRAWERS AND PANS ARE EASILY REMOVABLE, NO TOOLS REQUIRED.
- SELF CONTAINED UNIT, NO DRAIN REQUIRED.
- DIGITAL THERMOSTAT CONTROL, TEMPERATURE CAN BE SET BY USER (34°F - 42°F OR 1°C - 5°C)
- AUTOMATIC DEFROST,
- HIGH/LOW TEMPERATURE ALARM
- 1/4 H.P. COMMERCIAL COMPRESSOR (R-134A), 1820 BTU BLOWER COIL *
- PULL OUT COMPRESSOR FOR EASY SERVICE AND CLEANING

ELECTRICAL INFORMATION

115V 10.5 AMPS

8' PLUG IN CORD PROVIDED

NEMA 5-15



ALL ELECTRICAL CONNECTIONS
INSPECTED BY:



AT E-COM COMMERCIAL FOOD EQUIPMENT CORP., WE STRIVE TO CONSTANTLY IMPROVE OUR PRODUCTS, THEREFORE WE RESERVE THE RIGHT TO CHANGE STYLES AND CONFIGURATION WITHOUT NOTICE. UNIT CUSTOMIZATION IS AVAILABLE UPON REQUEST, PLEASE CONTACT YOUR AUTHORIZED E-COM AGENT FOR DETAILS. ALL UNITS ARE MADE TO ORDER - PLEASE CONTACT YOUR AUTHORIZED AGENT FOR PRODUCTION TIMES.