

ECCB-72SC

HIGH CAPACITY 72" REFRIGERATED CHEF BASE - SELF CONTAINED

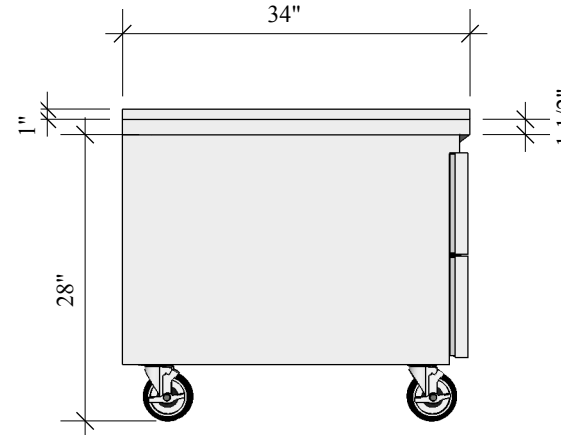
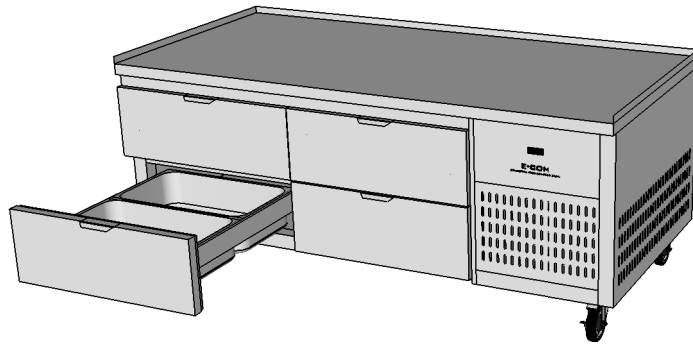


E-COM

COMMERCIAL FOOD EQUIPMENT CORP.
CANADA
INFO@E-COMCORP.COM
TORONTO: 437-889-4398
VANCOUVER: 778.775.0692

AUTHORIZED DEALER

PROJECT



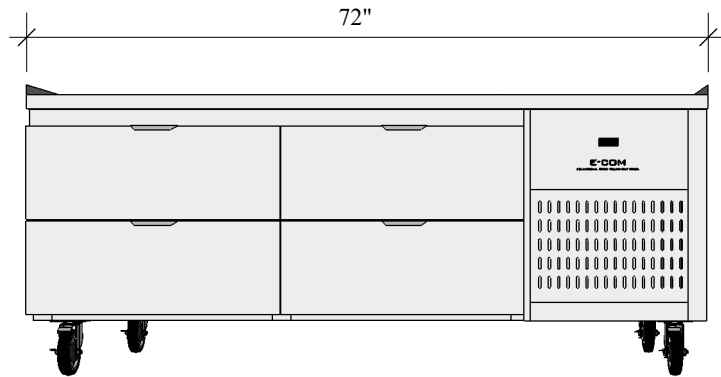
STANDARD FEATURES

- ALL 304 GRADE STAINLESS STEEL HEAVY DUTY CONSTRUCTION.
- STAINLESS STEEL INTERIOR, DRAWERS, TRACKS AND BEARINGS.
- HIGH CAPACITY REFRIGERATOR CAPABLE OF HOLDING UP TO 8 FULL SIZE STANDARD PANS 6" DEEP. PANS SOLD SEPARATELY.
- DRAWERS AND PANS ARE EASILY REMOVABLE, NO TOOLS REQUIRED.
- SELF CONTAINED UNIT, NO DRAIN REQUIRED.
- DIGITAL THERMOSTAT CONTROL, TEMPERATURE CAN BE SET BY USER (34°F - 42°F OR 1°C - 5°C)
- AUTOMATIC DEFROST, HIGH/LOW TEMPERATURE ALARM
- 1/3 H.P. COMMERCIAL COMPRESSOR (R-134A), WITH DUAL BLOWER COIL
- MOBILE WITH LOCKING WHEELS ON FRONT

ELECTRICAL INFORMATION

115V 10.5 AMPS
8' PLUG IN CORD PROVIDED

NEMA 5-15



ALL ELECTRICAL CONNECTIONS
INSPECTED BY:



ORIGINAL DATE
ISSUED
2014

DRAWN BY
I.T

DATE OF RE-ISSUE

ITEM NUMBER



CUSTOMER APPROVAL SIGNATURE

AT E-COM COMMERCIAL FOOD EQUIPMENT CORP., WE STRIVE TO CONSTANTLY IMPROVE OUR PRODUCTS, THEREFORE WE RESERVE THE RIGHT TO CHANGE STYLES AND CONFIGURATION WITHOUT NOTICE. UNIT CUSTOMIZATION IS AVAILABLE UPON REQUEST, PLEASE CONTACT YOUR AUTHORIZED E-COM AGENT FOR DETAILS. ALL UNITS ARE MADE TO ORDER - PLEASE CONTACT YOUR AUTHORIZED AGENT FOR PRODUCTION TIMES.